

cable grippers inc.

6647 Schuster Street, Las Vegas, NV 89118
phone: 702.869.0755, Fax: 702.543.2305
Web: www.cablegrippers.com
E-mail: sales@cablegrippers.com

CGI P/N: MGR-1/8-IP-RE
Revision:
Vendor Ref. #:
Customer:
Customer P/N:

MINI REVERSE GRIPPER

Applications

Recess Lighting Fixtures

Features

Reverse Gripper allows for quick tool-less adjustment from bottom, facilitating faster recess installations.

Material

Brass, with Steel Ball Bearings

Finish

Bright Nickel Plated

Cable Dimension

Accepts aircraft cable diameter in inches:

☒ 1/16" ☒ 3/64"

Safe Working Load at 5:1 Safety Factor

Specifications (US pounds) for 7x7 galvanized cable

1/16" Cable: 62 lbs.

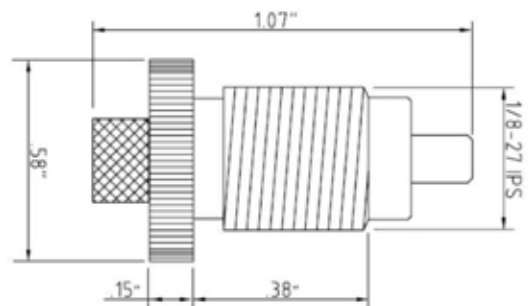
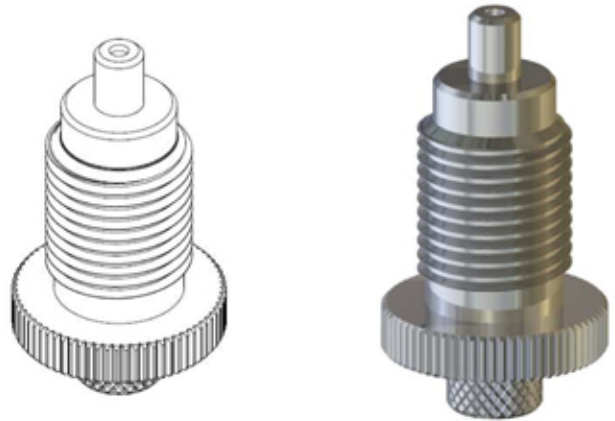
3/64" Cable: 50 lbs.

Cable Adjustment

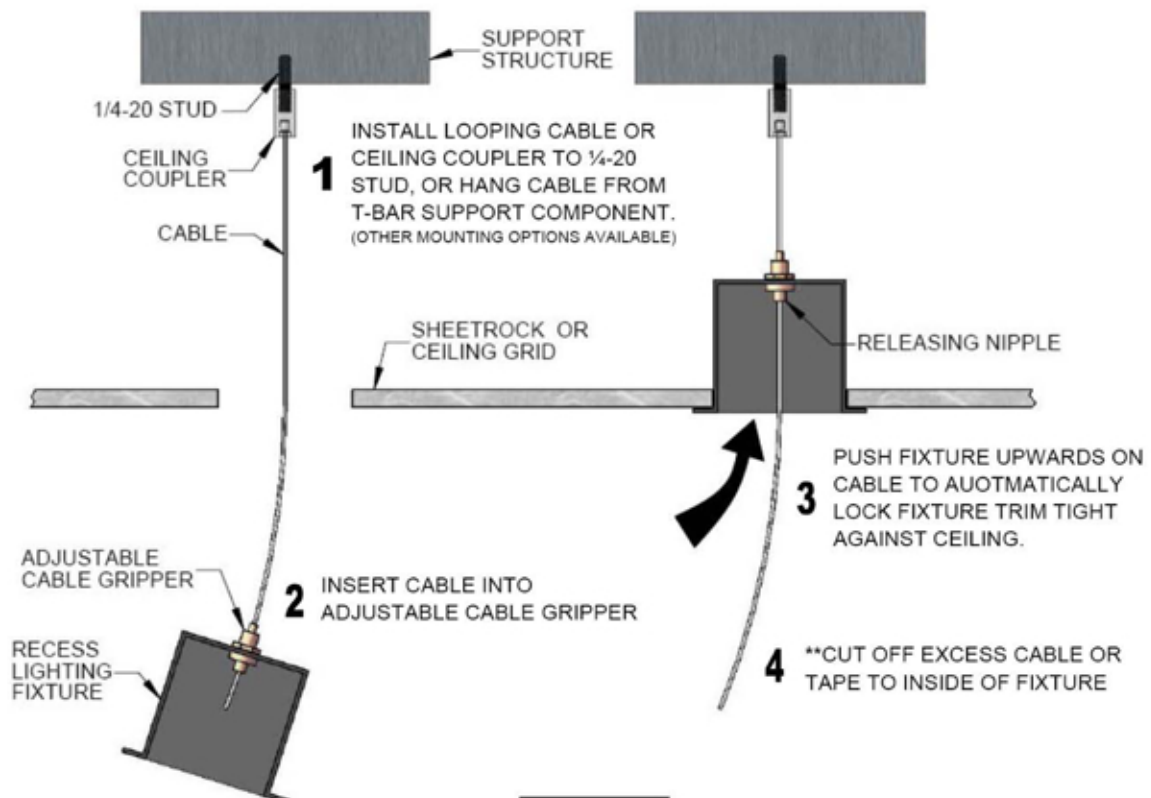
To lower fixture, pull down on Releasing Nipple.

Installation Notes**

In recess applications, preserve enough excess cable to allow for fixture servicing/reinstallation.



Dimensions [inches]



Proprietary Notice

This document and any other data disclosed herein is the sole property of Cable Grippers, Inc. and may not be reproduced, used or disclosed in part or in whole, to anyone without written consent of Cable Grippers.