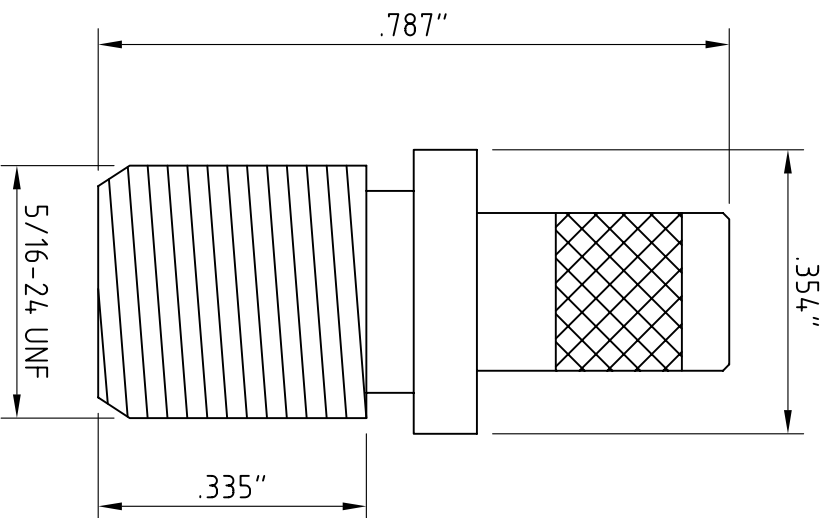


MICRO-GR-SN



USE 3/64" (1.19 mm) CABLE



All drawings and written materials appearing herein constitute original and unpublished work of Cable Grippers, Inc. and may not be duplicated or reproduced without their written consent.

Copyright Cable Grippers Inc.

cable grippers inc. 3870 VANESSA DRIVE LAS VEGAS, NV 89103 <small>P: (702) 899-0795 F: (702) 549-2305</small>				PART DESCRIPTION: MICRO GRIPPER, 5/16-24	
DATE:	06/26/2009	SIZE:	A	PART #:	MICRO-GR-SN
MATERIAL:	NICKEL PLATED BRASS	SCALE:	N/A	REV	01
DIMENSIONS ARE IN INCHES		SHEET 1 OF 1			