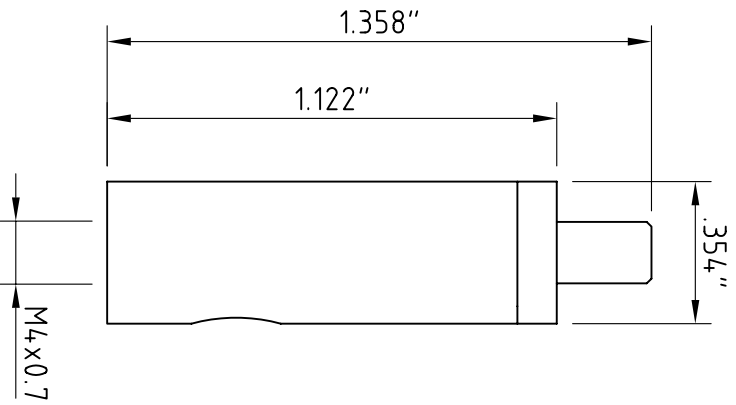


MGR-SE-M4

USE 3/64" (1.19 mm) OR
1/16" (1.59 mm) CABLE



All drawings and written materials appearing herein constitute original and unpublished work of Cable Grippers, Inc. and may not be duplicated or reproduced without their written consent.

Copyright Cable Grippers Inc.

cable grippers inc. 3870 VANESSA DRIVE LAS VEGAS, NV 89103 P. (702) 889-0755 F. (702) 543-2305			
DATE:	06/26/2009		
MATERIAL:	NICKEL PLATED BRASS		
DIMENSIONS ARE IN INCHES			
PART DESCRIPTION:			
MINI GRIPPER, SIDE EXIT, BOTTOM TAPPED M4, SCREW INCLUDED			
SIZE	PART #:	REV	
A	MGR-SE-M4	01	
SCALE:	N/A		SHEET 1 OF 1