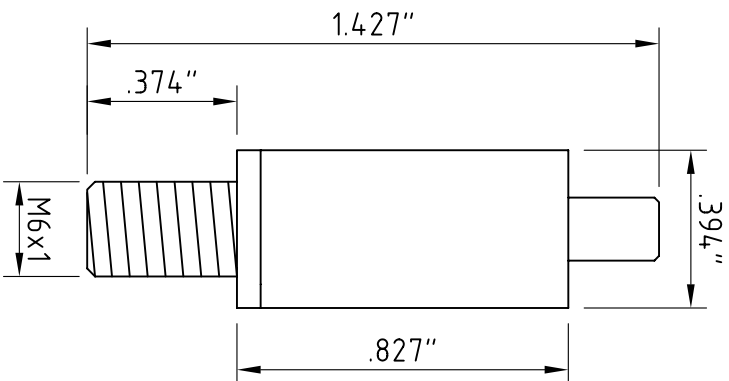
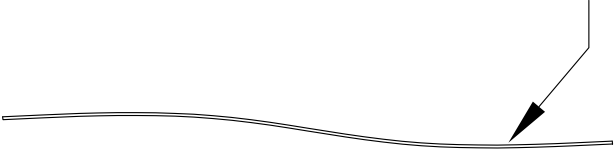


MGR-M6



USE 3/64" (1.19 mm) OR
1/16" (1.59 mm) CABLE



All drawings and written materials appearing herein constitute original and unpublished work of Cable Grippers, Inc. and may not be duplicated or reproduced without their written consent.

Copyright Cable Grippers Inc.

cable grippers inc.
3870 VANESSA DRIVE
LAS VEGAS, NV 89103
P: (702) 855-0795 F: (702) 545-2305

PART DESCRIPTION:
MINI GRIPPER, M6 METRIC,
ND SAFETY NUT

DATE: 06/26/2009

SIZE: A PART #: MGR-M6 REV: 01

MATERIAL: NICKEL PLATED BRASS

SCALE: N/A SHEET 1 OF 1

DIMENSIONS ARE IN INCHES