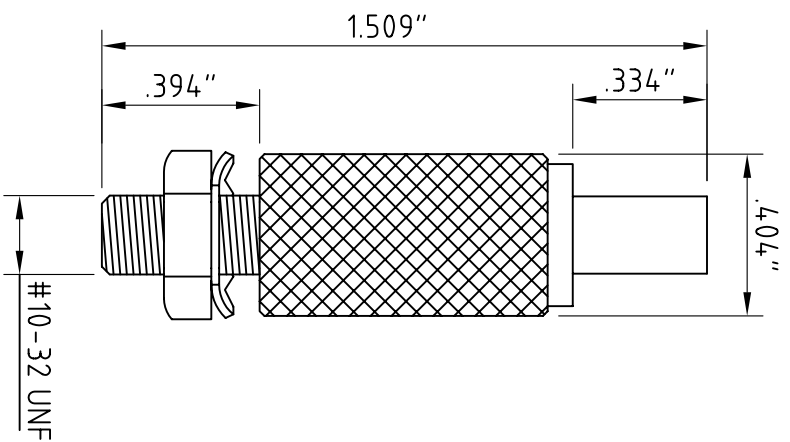


MGR-10/32



USE 3/64" (1.19 mm) OR
1/16" (1.59 mm) CABLE



All drawings and written materials appearing herein constitute original and unpublished work of Cable Grippers, Inc. and may not be duplicated or reproduced without their written consent.

Copyright Cable Grippers Inc.

cable grippers inc. 3870 VANESSA DRIVE LAS VEGAS, NV 89103 P: (702) 899-0795 F: (702) 543-2305	
DATE:	06/26/2009
MATERIAL:	NICKEL PLATED BRASS
PART DESCRIPTION: MINI GRIPPER, 10/32, MNTG NUT INCLUDED, NO SAFETY NUT	
SIZE:	A
PART #:	MGR-10/32
REV	01

DIMENSIONS ARE IN INCHES		SCALE: N/A	SHEET 1 OF 1
--------------------------	--	------------	--------------