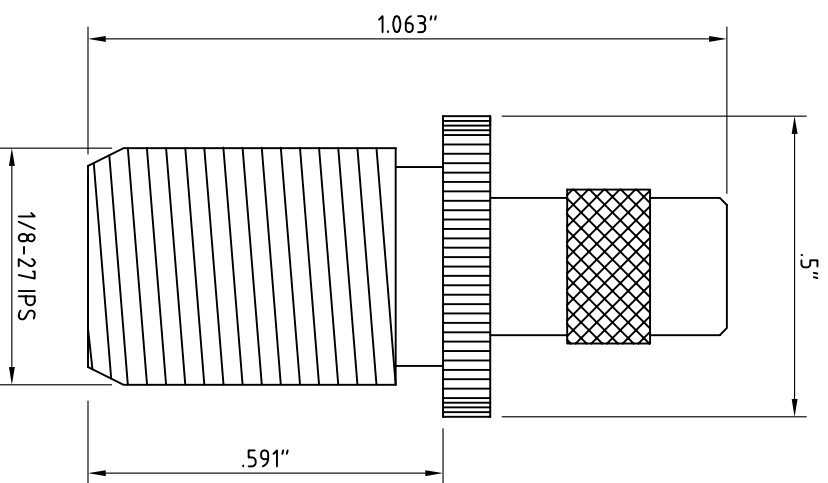


MGR-1/8-IP-S

USE 3/64" (1.19 mm) OR
1/16" (1.59 mm) CABLE



All drawings and written materials appearing herein constitute original and unpublished work of Cable Grippers, Inc. and may not be duplicated or reproduced without their written consent.

Copyright Cable Grippers Inc.

cable grippers inc. 3870 VANESSA DRIVE LAS VEGAS, NV 89103 <small>P: (702) 855-0755 F: (702) 545-2305</small>			
DATE:	06/26/2009	PART DESCRIPTION:	MINI GRIPPER, 1/8-27 IPS, KNURLED
MATERIAL:	NICKEL PLATED BRASS	SIZE	A
DIMENSIONS ARE IN INCHES		PART #:	MGR-1/8-IP-S
		SCALE:	N/A
		SHEET	1 OF 1
		REV	01