

# Cable Grippers, Inc.

3870 Vanessa Drive  
 Las Vegas, NV 89103  
[sales@cablegrippers.com](mailto:sales@cablegrippers.com)

Telephone 702-869-0755 / Fax 702-543-2305

CGI P/N: **MGR-1/8-IP-REC**  
 Revision:  
 Vendor Ref. #:  
 Customer:  
 Customer P/N:

## MINI REVERSE GRIPPER

### Applications

Recess Lighting Fixtures

### Features

Reverse Gripper allows for quick tool-less adjustment from bottom, facilitating faster recess installations.

### Material

Brass, with Steel Ball Bearings

### Finish

Bright Nickel Plated

### Cable Dimension

Accepts aircraft cable diameter in inches:

☒ 1/16" ☒ 3/64"

### Safe Working Load at 5:1 Safety Factor

Specifications (US pounds) for 7x7 galvanized cable

1/16" Cable: 62 lbs.

3/64" Cable: 50 lbs.

### Cable Adjustment

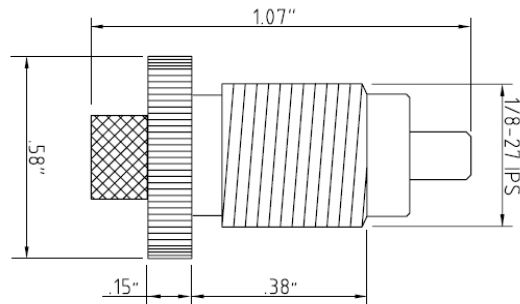
To lower fixture, pull down on Releasing Nipple.

### Installation Notes\*\*

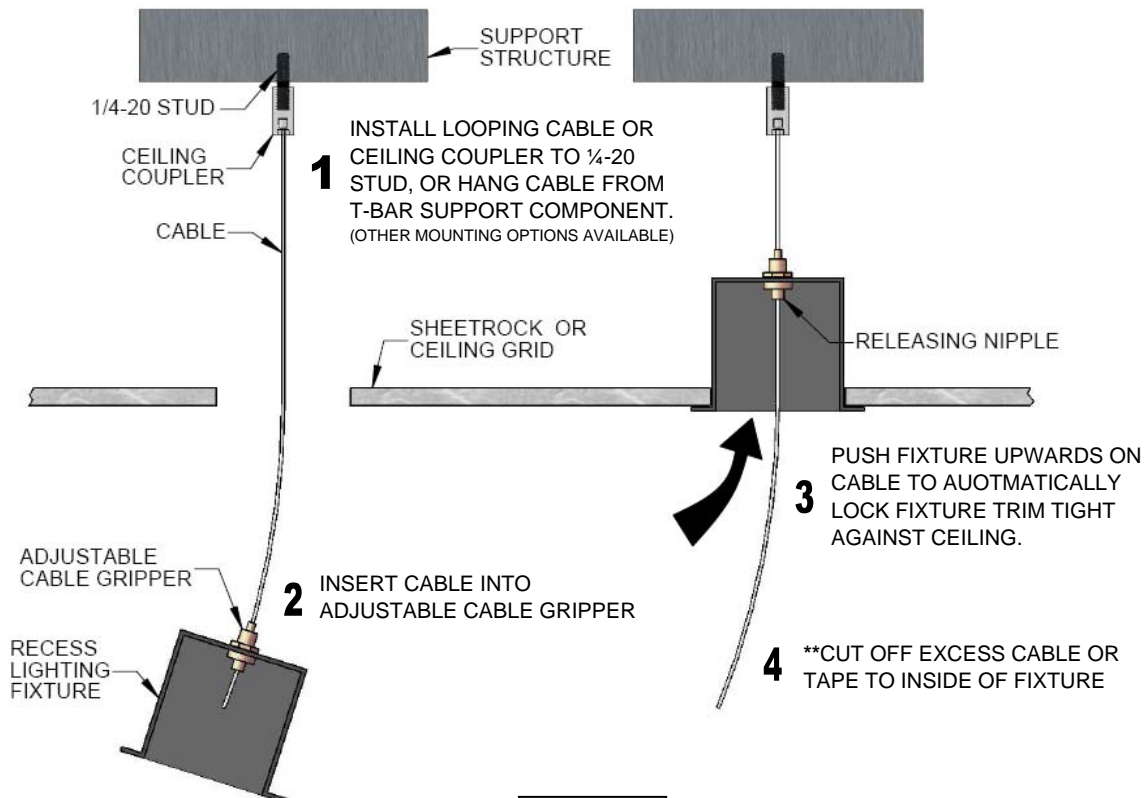
In recess applications, preserve enough excess cable to allow for fixture servicing/reinstallation.



Tool-less Adjustment



Dimensions [inches]



Proprietary Notice

This document and any other data disclosed herein is the sole property of Cable Grippers, Inc. and may not be reproduced, used or disclosed in part or in whole, to anyone without written consent of Cable Grippers.