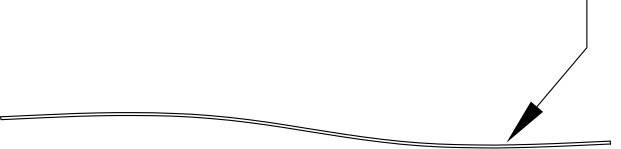
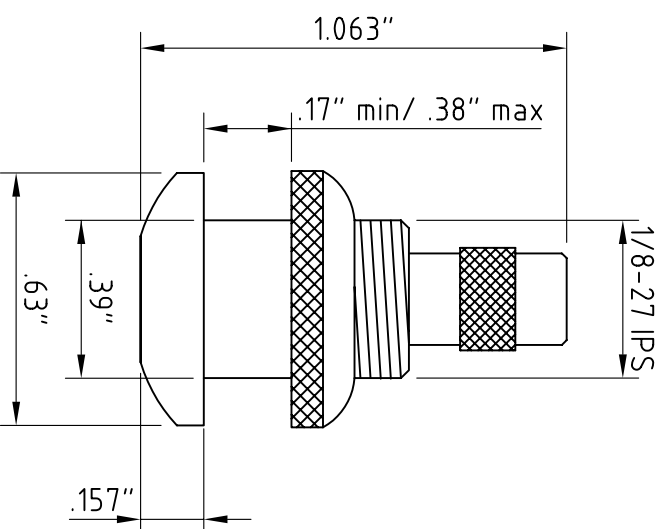


MGR-1/8-IP-GS

USE 3/64" (1.19 mm) OR
1/16" (1.59 mm) CABLE



All drawings and written materials appearing herein constitute original and unpublished work of Cable Grippers, Inc. and may not be duplicated or reproduced without their written consent.

Copyright Cable Grippers Inc.

cabl **grippers inc.**
3870 VANESSA DRIVE
LAS VEGAS, NV 89103
P. (702) 889-0755 F. (702) 543-2305

DATE: 06/26/2009

MATERIAL: NICKEL PLATED BRASS

DIMENSIONS ARE IN INCHES

PART DESCRIPTION:
MINI GRIPPER, MNTG NUT
INCLUDED, FOR GLASS SHELVING

| | | |
|------|---------------|-----|
| SIZE | PART #: | REV |
| A | MGR-1/8-IP-GS | 01 |

SCALE: N/A SHEET 1 OF 1