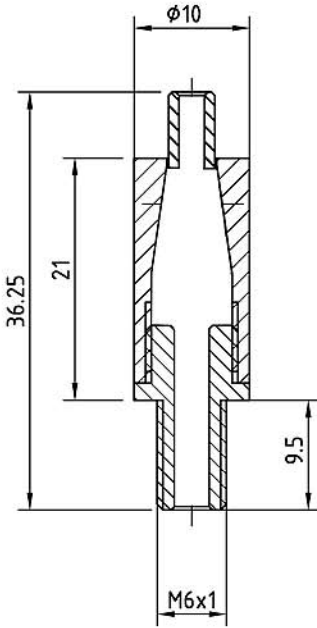


GENERAL NOTES	S.NO.	REV.	DATE	DESCRIPTION
1. ALL DIMENSIONS ARE IN MM 4.DRG. NOT TO BE SCALED				
2. REMOVE SHARP CORNERS 5.IF IN DOUBT PLEASE ASK				
3. AVOID RUST,DUST&SCRATCH				



PART NAME : MINI GRIPPER M6 THREAD	DRN.	DATE
MATERIAL : BRASS (NICKEL PLATED)	CHKD.	DATE
SCALE 2 : 1	APPD.	DATE
	DRG. NO.	49-2633

NET WEIGHT :

REVISION NO. 00



ITEM CODE :

-MGR-M6