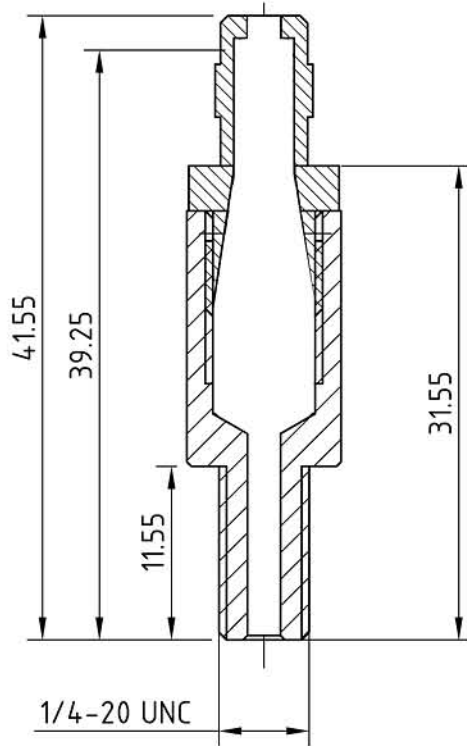
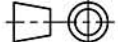


GENERAL NOTES	S.NO.	REV.	DATE	DESCRIPTION
	1.	a		



PART NAME : MGR-1/4-20	DRN.	DATE
MATERIAL : BRASS (NICKEL PLATED)		CHKD. DATE
GENERAL TOLERANCE WHERE NOT SPECIFIED ±0.1	SCALE 2 : 1	APPD. DATE
NET WEIGHT :		DRG. NO. 49-2519

NET WEIGHT :	REVISION NO. 02		ITEM CODE : MGR-1/4-20
--------------	-----------------	---	------------------------