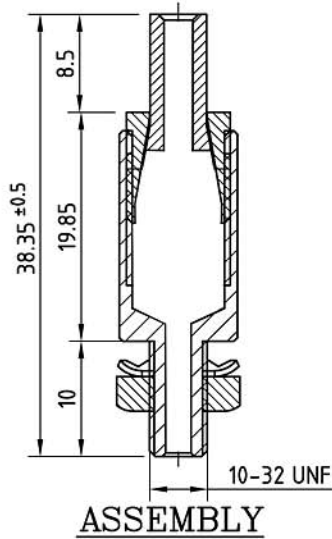


THIS DRAWING HAS BEEN APPROVED BY THE CUSTOMER

GENERAL NOTES	S.NO.	REV.	DATE	DESCRIPTION
1. ALL DIMENSIONS ARE IN MM 4.DRG. NOT TO BE SCALED				
2. REMOVE SHARP CORNERS 5.IF IN DOUBT PLEASE ASK				
3. AVOID RUST,DUST&SCRATCH				



PART NAME :		DRN.	DATE
MATERIAL :		CHKD.	DATE
GENERAL TOLERANCE WHERE NOT SPECIFIED ± 0.1	SCALE 2 : 1	APPD.	DATE
		DRG. NO.	49-2591

NET WEIGHT :

REVISION NO. 02



ITEM CODE : MGR-10/32