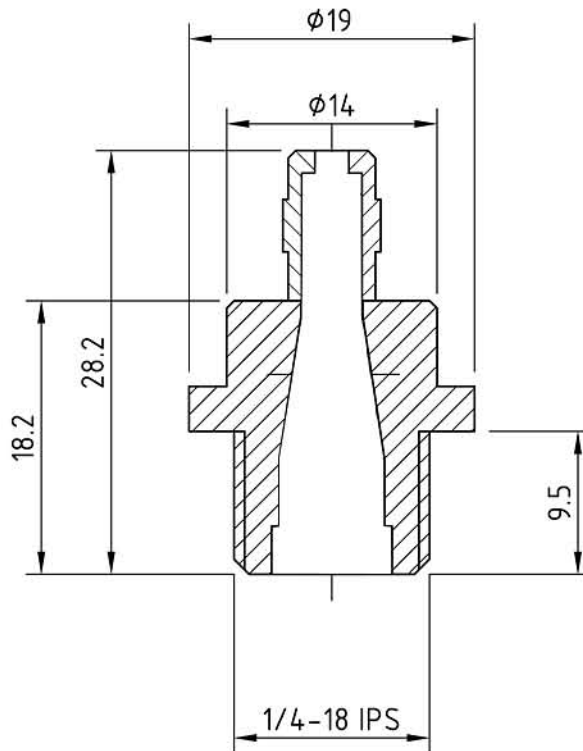
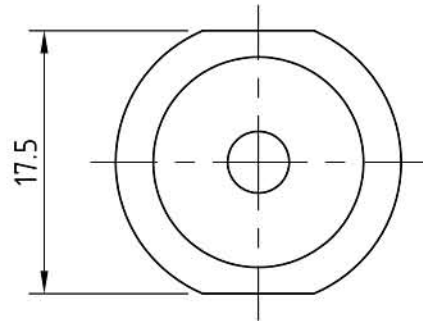


GENERAL NOTES	S.NO.	REV.	DATE	DESCRIPTION
1. ALL DIMENSIONS ARE IN MM 4.DRG. NOT TO BE SCALED				
2. REMOVE SHARP CORNERS 5.IF IN DOUBT PLEASE ASK				
3. AVOID RUST,DUST&SCRATCH				



PART NAME : MGR-1/4-IP-SR)		DRN.	DATE
MATERIAL : BRASS (BRIGHT NICKEL PLATED)		CHKD.	DATE
GENERAL TOLERANCE WHERE NOT SPECIFIED $\pm 0.1$		APPD.	DATE
SCALE   2 : 1		DRG. NO. 2096	

NET WEIGHT (gm.) :

REVISION NO. 00



ITEM CODE :

MGR-1/4 IP-SR